



## Outline

### *See the difference multi-megapixel resolution makes!*

Lumenera's Le575 series of megapixel cameras are designed for general and high-end security applications.

Streaming full 2560 x 1920 resolution at 6 fps, these cameras deliver outstanding picture quality and performance. JPEG and MJPEG still-images or live streaming video, are provided across a standard 10/100BaseT network interface.

Lumenera has simplified IP camera installation with a simple plug-and-play process. Intuitive user interface viewed with most browsers provides standard camera control. Transfer of images via HTTP, RTP/RTSP, or FTP.

Programmable day/night settings automatically switch to enhanced low-light mode. Optional – true day/night module provides automatic sliding IR cut filter. When deployed with NIR illuminators, provides outstanding nighttime performance.

The I/O connectors provide an interface to peripheral equipment such as DC iris lenses, IR lighting, and PTZ as well as external alarm sensors. E-mail or UDP alarm notification provides the date, time, and camera IP address. On-board memory buffers supply still images via FTP that precede and follow alarm events.

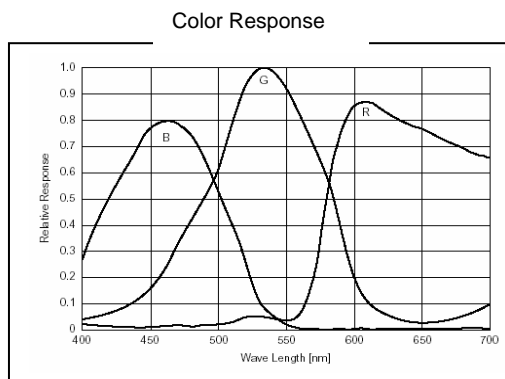
The user-defined motion detection parameters across multiple zones provide more accurate triggering of alarms, while programmable privacy zones ensure compatibility with all regulations.

Model Le575 is very compact, contained in an all-metal housing and can be mounted stand-alone or by means of standard environmental enclosures. Call with your enclosure requirements today.

## Product Features

- Easy installation and set-up
- ~2000 lines of resolution, color, progressive scan, 5.0 megapixel sensor
- 6 fps at full 2560 x 1920 at full resolution, 26 fps at 1024 x 768
- Feature rich camera functions:
  - Auto white balance & auto exposure
  - True day/night mode
  - Configurable compression ratio
  - Multiple motion detection zones
- I/O control of alarms, DC iris, PTZ, lighting or other peripherals
- Optional true day/night functionality
- Image transfer via HTTP, FTP, RTP, or Email
- Camera Control via HTTP, XML-RPC, Telnet or Microsoft COM
- Security / password protection
- FCC Class B, CE Certified
- CS lens mount, C-mount adapter available
- Compatible with most Operating Systems (Windows, Linux, and MAC)
- PoE models available
- Full one (1) year warranty

Image Sensor	<b>1/2.5" format, color, 5.7mm x 4.3mm array</b>
Effective Pixels	<b>2560 x 1920, 2.2µm square pixels</b>
Frame Rate	<b>6 fps at full resolution, 26 fps at 1024x768</b>
Dynamic Range	<b>55dB</b>
Sensitivity	<b>2.0 lux at F1.0</b>
Auto Exposure	<b>Automatic / Manual</b>
White Balance	<b>Automatic / Manual</b>
Dimensions (W x H x D)	<b>1.9" x 2.5" x 5.0" (not including lens)</b>
Mass	<b>~400g</b>
Power Requirement	<b>9-24V AC or DC, (contact Lumenera for PoE availability)</b>
Power Consumption	<b>&lt;4 Watts</b>
Operating Temperature	<b>-10° C to +50° C (environmental enclosure will provide extended temperatures with fan / heater)</b>
Operating Humidity	<b>5%-95%, non-condensing</b>
Interface Connector	<b>RJ45 twisted pair cable, 10/100baseT Ethernet</b>
Lens Mount	<b>Adjustable CS-Mount (lens not included)</b>
Image Buffer	<b>48 MB (up to 110 full res images)</b>

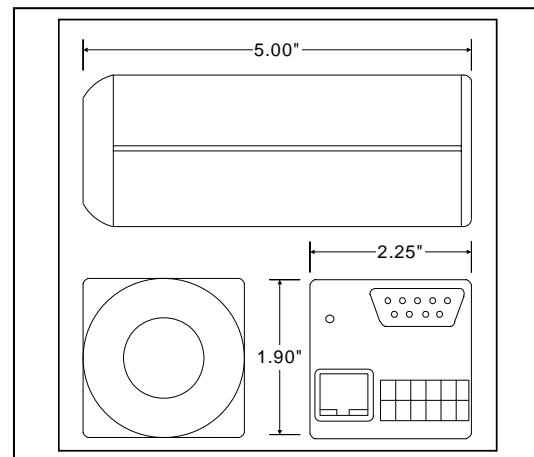


#### Recommended PC Specifications

O/S: Windows 2000 (SP 3), or XP (SP 1)  
 CPU: 2.8GHz or above Pentium computer  
 (required for full frame rate preview)

600Mhz or above Pentium compatible  
 computer (for basic functionality)

Network: 100 Mbps Ethernet LAN  
 Browser: Internet Explorer v6.0



#### Ordering Information

- Le575C – 5.0 Megapixel Color Camera
- Le575C-DN – 5.0 Megapixel Color Camera w/  
optional Day/Night module

Contact Lumenera for PoE availability.